

Standard Full Nut

Thread Type: Metric - Coarse

Thread Direction: Right Hand

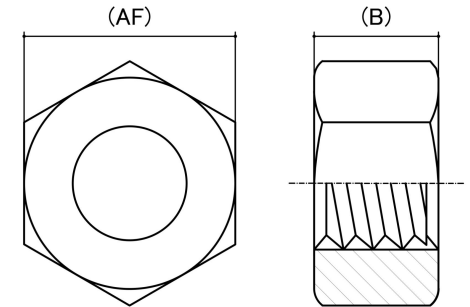
Material: Carbon Steel

Class Grade: High Tensile Class 8

Finish: Zinc Plated

Corrosion Protection Level: Moderate

Standard: AS 1112



*CAD drawings shown for graphic representation only.**

Size	Thread Pitch (mm)	Thread Type	Overall Nut Height (B) (mm)		Across Flats (AF) (mm)		Spanner Size (AF) (mm)	sku (qfind)
			Min	Max	Min	Max		
M3	0.50	Coarse	2.15	2.40	5.32	5.50	5.5	413
M4	0.70	Coarse	2.90	3.30	6.78	7.00	7	414
M5	0.80	Coarse	4.40	4.70	7.78	8.00	8	415
M6	1.00	Coarse	4.90	5.20	9.78	10.00	10	416
M8	1.25	Coarse	6.44	6.93	12.73	13.00	13	418
M10	1.50	Coarse	8.04	8.40	15.73	16.00	16	4110
M12	1.75	Coarse	10.37	10.80	17.73	18.00	18	4112
M14	2.00	Coarse	12.10	12.80	20.67	21.00	21	4114
M16	2.00	Coarse	14.10	14.80	23.67	24.00	24	4116
M18	2.50	Coarse	15.10	15.80	26.16	27.00	27	4118
M20	2.50	Coarse	16.90	18.00	29.16	30.00	30	4120
M22	2.50	Coarse	19.80	21.10	33.00	34.00	34	4122
M24	3.00	Coarse	20.20	21.50	35.16	36.00	36	4124
M30	3.50	Coarse	24.30	25.60	45.00	46.00	46	4130

Size	Thread Pitch (mm)	Thread Type	Overall Nut Height (B) (mm)		Across Flats (AF) (mm)		Spanner Size (AF) (mm)	sku (qfind)
			Min	Max	Min	Max		
M36	4.00	Coarse	29.40	31.00	53.80	55.00	55	4136
M42	4.50	Coarse	32.40	34.90	63.10	65.00	65	4142

Disclaimer:

Dimensional data and technical information was obtained from publically available sources and not acquired through standard agencies. It has been completed and compiled for reference purposes only; where discrepancies are found they are subject to change without notice. Bolt & Nut Australia makes no warranties or representations regarding the accuracy and validity of the compiled information and data. Contact the relevant standard authorities for accurate and detailed information.

* CAD drawings may not reflect diameter, thread length or overall length.

© Bolt & Nut Australia Pty Ltd. All rights reserved.

Version: 18 Mar 2024